

## Datasheet

### RECEIVERS/ RX26-Z Series - 2 or 4-Relay Receivers

#### Product description



The RX26-Z series are external receivers housed in weather resistant enclosures. Ideal for control of external gates or barriers. They are available in 2 or 4 relays.

Each relay can be separately configured for pulse or step modes, with a maximum contact rating of 24VA. Security is upheld by the use of Keeloq rolling code decryption.

The RX26-Z also comes in 12 or 24 Vac/dc. An input is available for the [SEA433](#) tuned aerial to increase transmitting range.



#### Key features

- 2 or 4 relays mini receivers
- Up to 85 transmitters
- Pulse or step mode for 1 relay
- 12 or 24 Vac/dc
- Keeloq® Hopping Code



Certification



DEEE



Certification



IP65



-20°C to 70°C

All the information contained within this document (pictures, drawing, features, dimensions, specifications), could be perceptibly different and can be changed without prior notice. - April 2021 - CDVI\_RX26-Z Series\_DS\_02\_EN\_AA\_C

## Product Information

**Receiver type:** Superheterodyne  
**Material:** Polycarbonate housing  
**Frequency:** 433.92MHz  
**Modulation:** AM/ASK  
**Encoding:** Keeloq® Hopping code  
**Number of code combinations:** 2exp64  
**Memory capacity:** 85 transmitters

## Relays

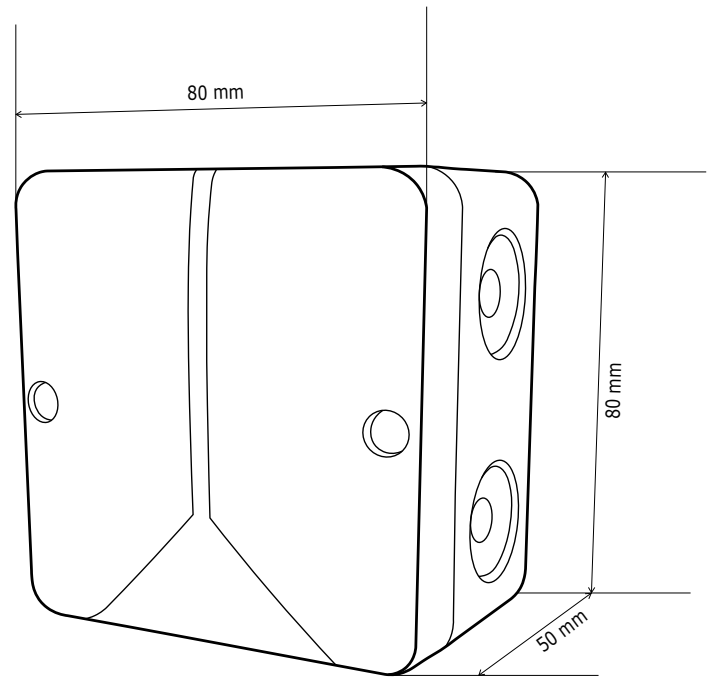
**Number of relays:**

RX26-Z2: 2  
RX26-Z4: 4

**Contacts:**

RX26-Z2: NO, NO/NC  
RX26-Z4: NO, NO, NO/C

**Operating mode:** Pulse, step



## Electrical specification

**Power supply:** 12/24 Vac/dc  
**Relay contact rating:** 24VA  
**Consumption:** 18 mA @ 12Vdc  
41 mA @ 24Vdc